

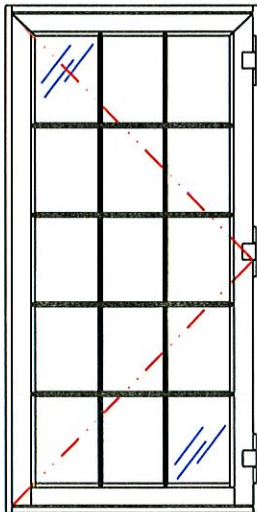
SERIES 515 CASEMENT WINDOW (LARGE MISSILE IMPACT) (S515-LMI)

GENERAL SPECIFICATIONS AND FEATURES

GENERAL: Florida's Best Model 515 Aluminum Casement Window meets AAMA/NWWDA 101/S.I. 2-97 specifications, and complies with the 2001 Florida Building Code. Please consult your salesperson for product design load ratings and ensure that your application conforms to local building code and design pressures. Units are offered in standard and custom sizes and various configurations.

MATERIALS: Frame members are constructed from commercial quality extruded 6063-T6 aluminum alloy. Fasteners are made from non-corrosive materials compatible with aluminum.

CONSTRUCTION: Frame members are 1/2" flange type. All joints of frame and sash members are neatly fitted and joined by dual corner locks and stainless steel screws. Frame members are 2" deep. Vents are exterior glazed.



TYPICAL ELEVATION
(VIEWED FROM EXTERIOR)

HARDWARE: Windows provided with butt hinges only. Sash operators are "TRUTH" roto-operators. Sash is equipped with single, double or triple cam type locks. Impact windows higher than 48" have triple cam locks, standard.

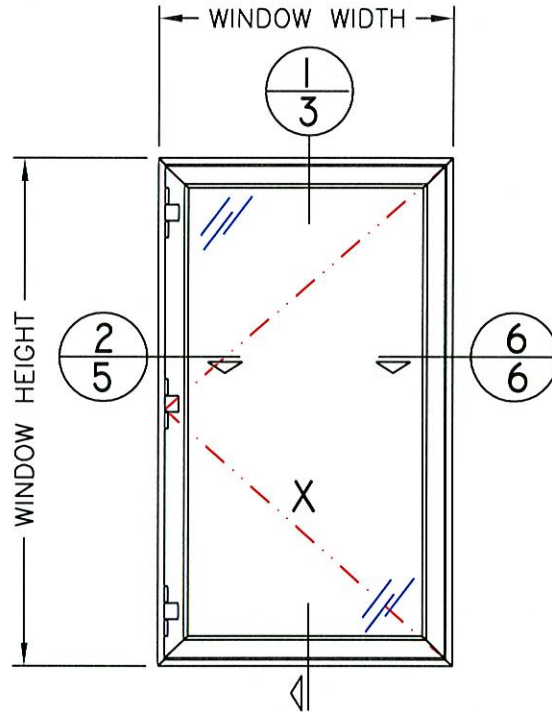
WEATHERSTRIPPING: All windows shall be double weatherstripped. Interior and exterior of frame and meeting vertical members shall have a continuous compressed weatherstrip contact around the entire perimeter of each vent when completely closed.

FINISH: Standard finish is PPG Polycron III white acrylic, to comply with AAMA 603.8 requirements. Bronze and custom colors also available; please consult your salesperson for pricing.

INSECT SCREENS: The screen cloth is fiberglass mesh, installed in a extruded aluminum section which is removable from the interior.

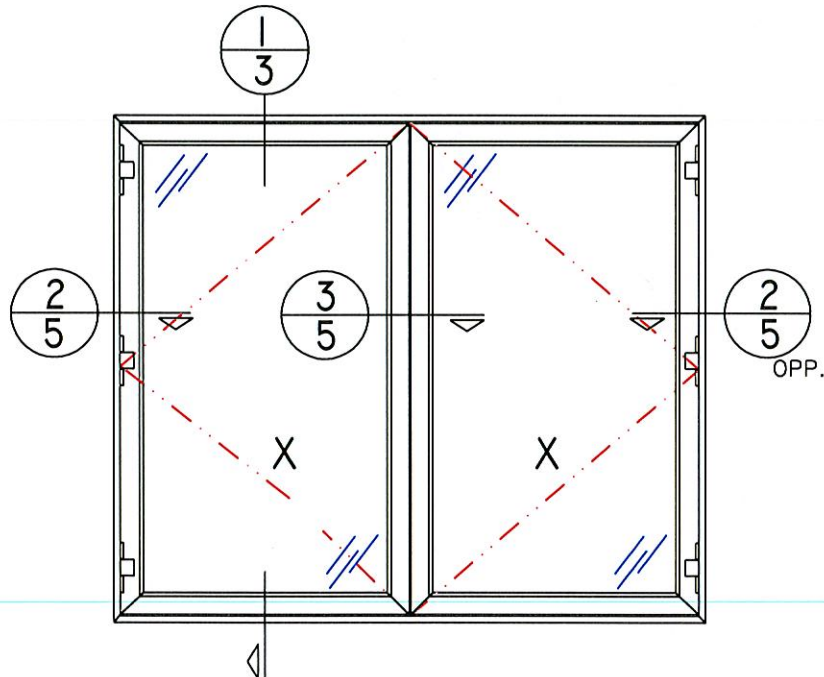
GLAZING: 7/16" or 1/2" impact laminated glass are the options, using a 1/2" square aluminum glazing stop and silicone.

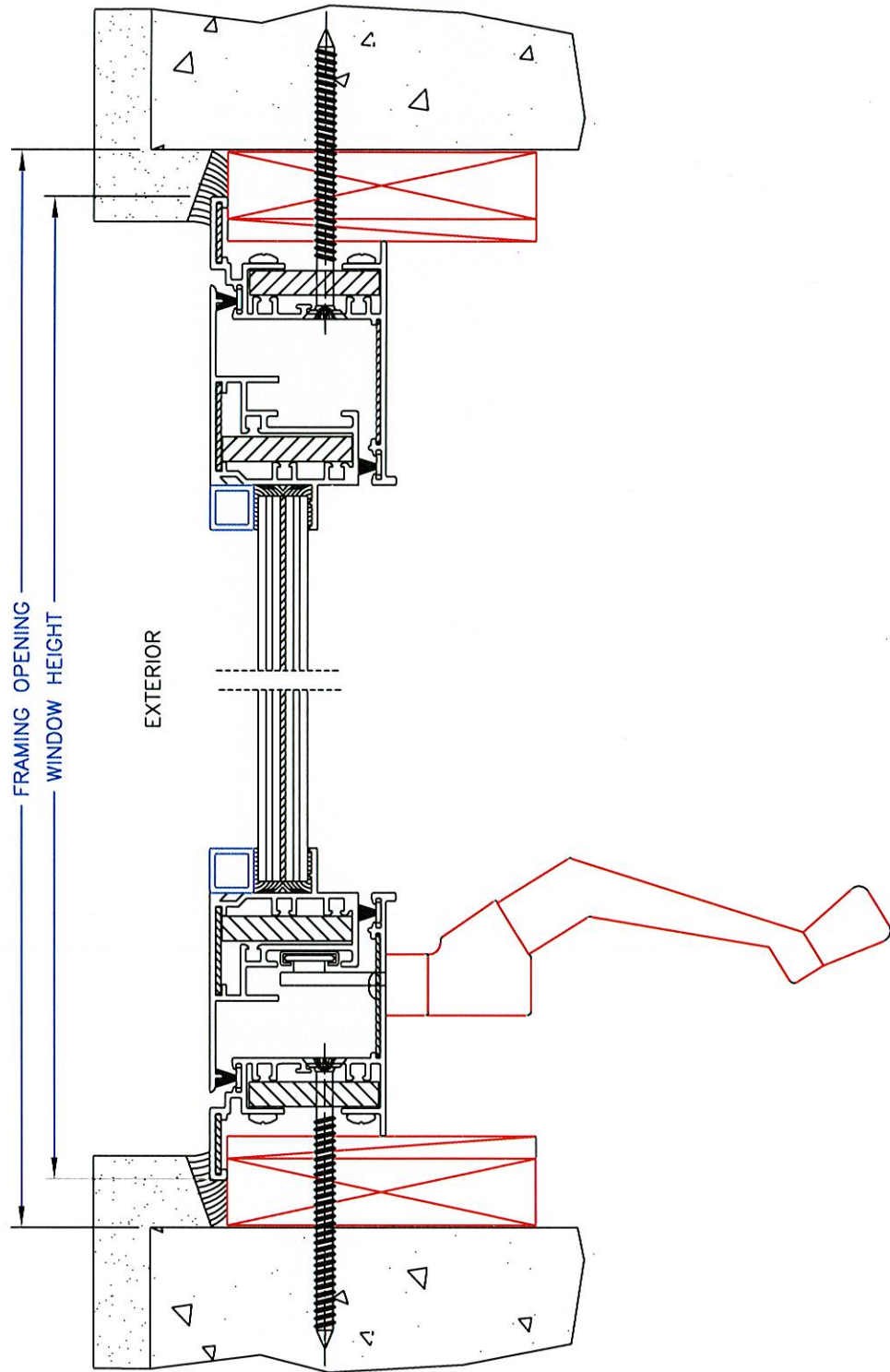
SERIES 515 CASEMENT WINDOW (LARGE MISSILE IMPACT)
(S515-LMI)



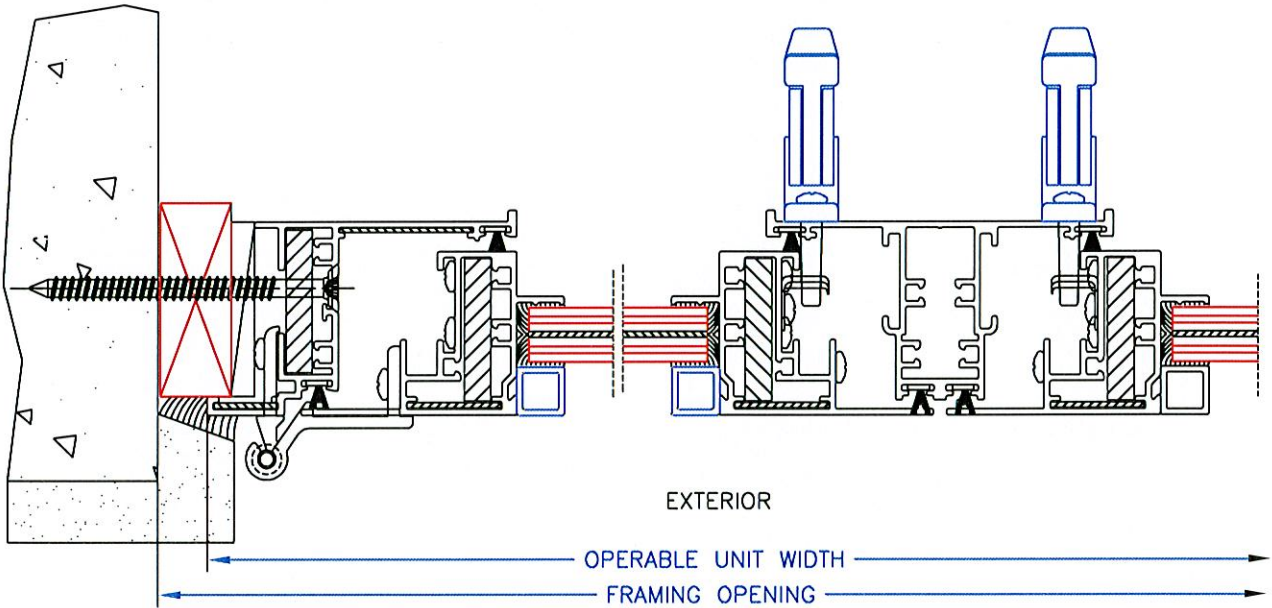
(TYPICAL ELEVATION VIEWED FROM EXTERIOR)
(7/16" OR 5/16" LAMINATED AVAILABLE)

OTHER CONFIGURATIONS



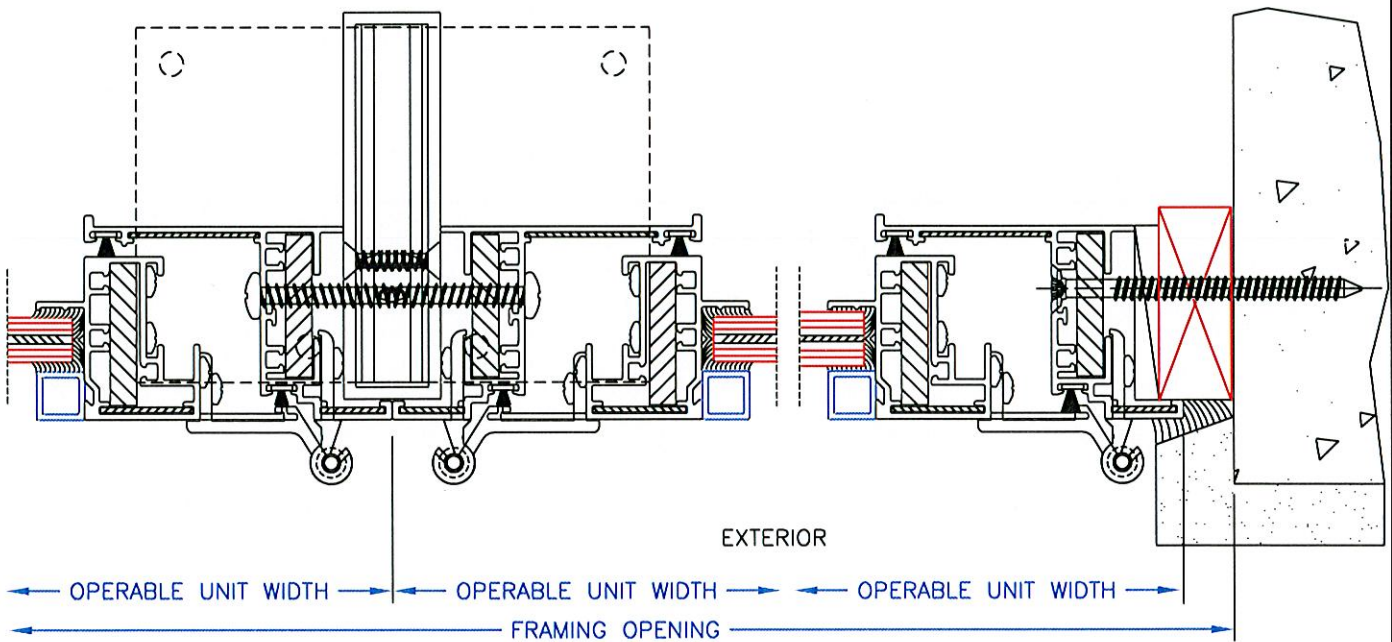


1 OPERABLE LITE VERTICAL SECTION
3 SCALE: HALF SIZE



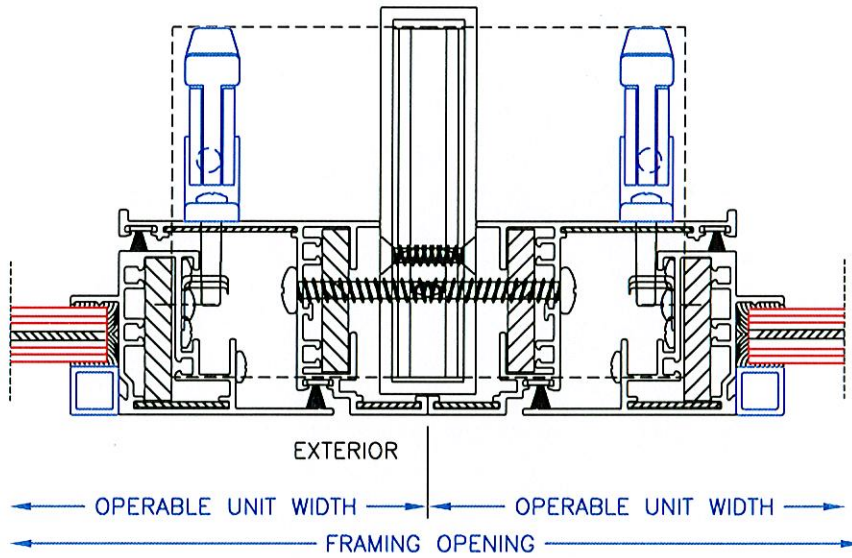
$\frac{2}{4}$ JAMB DETAIL
(OPERABLE LITE)

$\frac{3}{4}$ MEETING RAIL DETAIL

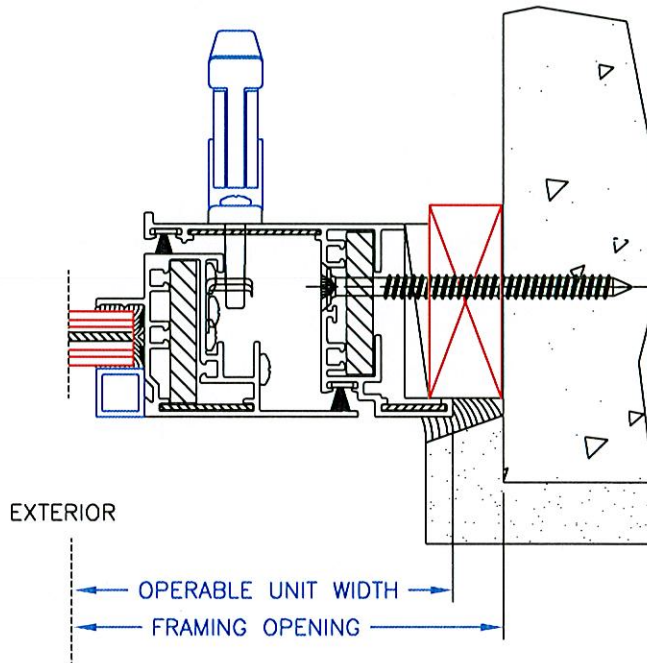


$\frac{4}{4}$ MULL DETAIL

$\frac{5}{4}$ JAMB DETAIL
(FIXED LITE)



7 MULL DETAIL
6



6 JAMB DETAIL
6 (OPERABLE LITE)

SCALE: HALF SIZE